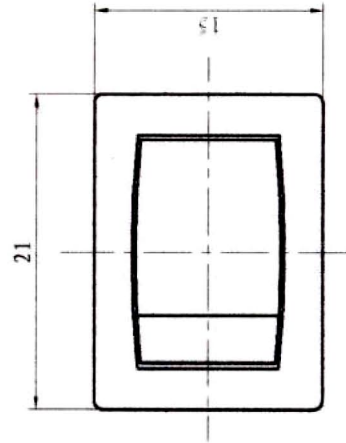
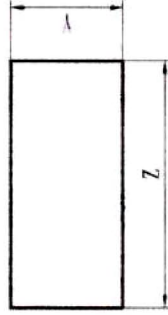


#187 Q.C.端子  
3-4.8W x 0.8T



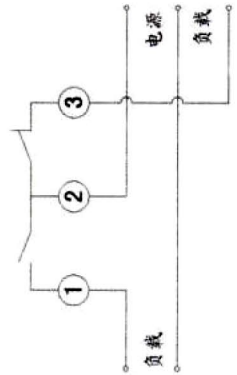
安装开孔尺寸  
MOUNTING HOLE DIMENTION



X	Y	Z
0.75-1.25	19.6 <sup>+0.1</sup>	13.1 <sup>+0.1</sup>
1.25-2.00	19.7 <sup>+0.1</sup>	13.1 <sup>+0.1</sup>
2.00-3.00	19.8 <sup>+0.1</sup>	13.1 <sup>+0.1</sup>

X: 安装面板厚度  
X: Panel Thickness

电气原理图  
ON-ON



TOLERANCES UNLESS OTHERWISE 未指定容许尺寸公差	
BASIC DIMENSION TOLERANCES	
UP TO 10(10以下)	±0.3
ABOVE 10 TO 100	±0.5
ABOVE 100(100以上)	±0.8
ANGULAR DIMENSIONS(角度)	
	±3°

<b>SSOKEN</b> NINGBO MASTER SOKEN ELECTRICAL CO., LTD.			
DESIGNER	封向荣	DATE	2010.11.29
CHECKED BY	✓	DIN UNIT	mm
APPROVED BY	周幸福	DATE	11/11
		TITLE	RK2-16 1×2黑黑弧
		PAGE	